

# HIKOKI

## ROTARY HAMMER DRILL DH26PC

Item No.	Code No.	Description	No. Used	Remarks
1	306345	FRONT CAP	1	
2	306340	STOPPER RING	1	
3	324527	GRIP	1	
4	324528	BALL HOLDER	1	
5	324526	HOLDER PLATE	1	
6	322812	HOLDER SPRING	1	
7	335274	GEAR COVER	1	
8		NAME PLATE	1	
9	335259	OIL SEAL	1	
10	335260	BALL BEARING 6805DD	1	
11	322789	PUSHING BUTTON	1	
12	317223	PUSHING SPRING	1	
13	334011	CHANGE LEVER	1	
14	878885	O-RING (S-18)	1	
15		BRAND LABEL	1	
16	335800	SPRING (E)	1	
17	608VVM	BALL BEARING 608VVC2PS2L	3	
18	335300	STEEL BALL D7.0 (10 PCS.)	1	
19	335261	CYLINDER	1	
20	335264	PIN D2.5	4	
21	335263	CYLINDER CLUTCH	1	
22	335265	SECOND GEAR	1	
23	335266	SPRING (A)	1	
24	301679	WASHER (A)	2	
25	948310	RETAINING RING FOR D30 SHAFT	1	
26	335262	OIL SEAL (A)	1	
27	335268	HAMMER HOLDER (C)	1	
28	335795	SLEEVE (FW)	1	
29	335269	SECOND HAMMER	1	
30	335267	HAMMER HOLDER (A)	1	
31	322805	DAMPER (A)	1	
32	322808	O-RING (C)	1	
33	324524	DAMPER HOLDER	1	
34	322807	STOPPER RING	1	
35	335246	STRIKER	1	
36	335247	O-RING D17	1	
37	335255	PISTON	1	
38	335793	PISTON PIN	1	
39	335250	BEARING WASHER	1	
40	335794	PISTON WASHER	2	
41	335275	PINION SLEEVE	1	
42	335276	LOCK PLATE	1	
43	335278	SECOND PINION	1	
44	323182	CLUTCH SPRING	1	
45	335254	CLUTCH	1	
46	331315	WASHER	1	
47	335277	SECOND SHAFT	1	
48	335249	RECIPROCATING BEARING	1	
49	990079	SEAL LOCK HEX. SOCKET HD. BOLT M5X16	2	
50	335270	BEARING HOLDER	1	
51	335271	BEARING COVER	1	
52	335253	FIRST GEAR	1	
53	335245	O-RING D72.2	1	

\* ALTERNATIVE PARTS

# HIKOKI

## ROTARY HAMMER DRILL DH26PC

Item No.	Code No.	Description	No. Used	Remarks
54	335272	INNER COVER	1	
55	322816	FELT PACKING	1	
56	322818	PACKING WASHER	1	
57	876796	O-RING (P-22)	1	
58	608DDM	BALL BEARING 608DD	1	
59	982631	WASHER (A)	2	
*60	360961E	ARMATURE 220V-230V	1	
61	335244	FAN GUIDE	1	
62	961672	HEX. HD. TAPPING SCREW D4X50	2	
*63	340850E	STATOR 220V-230V	1	
64	334008	AIR CAP	1	
65	324543	FELT PACKING (A)	1	
66A	335241	HOUSING	1	
67	301654	TAPPING SCREW (W/FLANGE) D5X35	4	
*68	500390Z	CORD	1	(CORD ARMOR D8.8)
69	955203	BRUSH HOLDER	2	
70	999041	CARBON BRUSH (1 PAIR)	1	
71	999072	CARBON BRUSH (AUTO STOP TYPE) (1 PAIR)	1	
74	937631	CORD CLIP	1	
75	984750	TAPPING SCREW (W/FLANGE) D4X16	2	
*76	953327	CORD ARMOR D8.8	1	
*77	930039	NOISE SUPPRESSOR	1	EXCEPT FOR BRA, PAN, MEX, THA, INA, MAL, HKG, U
*78	335857	CHOKE COIL (A) BROWN	1	EXCEPT FOR BRA, PAN, MEX, THA, INA, MAL, HKG, U
*79	324551	CHOKE COIL (A) BLUE	1	EXCEPT FOR BRA, PAN, MEX, THA, INA, MAL, HKG, U
80	322853	PUSHING BUTTON	1	
*81	335796	SWITCH	1	
82	335242	HANDLE COVER	1	
83	301653	TAPPING SCREW (W/FLANGE) D4X20 (BLACK)	3	
84		BRAND LABEL	1	
85	375172	GRIP ASS'Y	1	INCLUD. 1-6, 18
		STANDARD ACCESSORIES		
*501A	337257	CASE	1	
502	335273	SIDE HANDLE	1	
*503	303709	DEPTH GAUGE	1	
*504	337739	CASE ASS'Y (STACKABLE 1)	1	INCLUD. 505-507
*505	336472	LATCH	4	
*506	336473	HANDLE	1	
*507	336474	HINGE	2	
*508	337741	INNER TRAY	1	
		OPTIONAL ACCESSORIES		
601	306885	DUST COLLECTOR (B) ASS'Y	1	INCLUD. 602, 610
602	986802	DUST COLLECTOR ASS'Y	1	INCLUD. 603-609
603	986803	DUST COVER	1	
604	986804	SEAL COVER	1	
605	948310	RETAINING RING FOR D30 SHAFT	1	
606	958063	WASHER	1	
607	959150	STEEL BALL D6.35 (10 PCS.)	19	
608	986805	OUTER RACE	1	
609	986806	SOCKET	1	
610	306910	SOCKET ADAPTER (B)	1	
611	971787	DUST CUP	1	
612	931844	STOPPER	1	
613	321814	DRILL CHUCK 13VLRB-D	1	INCLUD. 614

\* ALTERNATIVE PARTS

# HIKOKI

## ROTARY HAMMER DRILL DH26PC

Item No.	Code No.	Description	No. Used	Remarks
614	331966	FLAT HD. SCREW (LEFT HAND) M6X20	1	
615	321813	DRILL CHUCK 13VLD-D	1	
616	971511Z	+ DRIVER BIT (A) NO.2 25L	1	
617	971512Z	+ DRIVER BIT (A) NO.3 25L	1	
618	944477	COTTER	1	
619	982684	CENTER PIN (A) 109L FOR CORE BIT D32-38	1	
620	982685	CENTER PIN (B) 104L FOR CORE BIT D45-90	1	
621	982672	CORE BIT (A) 25MM	1	
623	982674	CORE BIT (A) 32MM	1	INCLUD.624
624	982686	GUIDE PLATE (FOR CORE BIT 32MM)	1	
625	982675	CORE BIT (A) 35MM	1	INCLUD.626
626	982687	GUIDE PLATE (FOR CORE BIT 35MM)	1	
627	982676	CORE BIT (A) 38MM	1	INCLUD.628
628	982688	GUIDE PLATE (FOR CORE BIT 38MM)	1	
629	982677	CORE BIT (B) 45MM	1	INCLUD.630
630	982689	GUIDE PLATE (FOR CORE BIT 45MM)	1	
632	982690	GUIDE PLATE (FOR CORE BIT 50MM)	1	
633	971794	ANCHOR SETTING ADAPTER A W1/4" (MANUAL)	1	
634	971795	ANCHOR SETTING ADAPTER A W5/16" (MANUAL)	1	
635	971796	ANCHOR SETTING ADAPTER A W3/8" (MANUAL)	1	
636	971797	ANCHOR SETTING ADAPTER A W1/2" (MANUAL)	1	
637	971798	ANCHOR SETTING ADAPTER A W5/8" (MANUAL)	1	
638	971799	ANCHOR SETTING ADAPTER B W1/4" (MANUAL)	1	
639	971800	ANCHOR SETTING ADAPTER B W5/16" (MANUAL)	1	
640	971801	ANCHOR SETTING ADAPTER B W3/8" (MANUAL)	1	
641	971802	ANCHOR SETTING ADAPTER B W1/2" (MANUAL)	1	
642	971803	ANCHOR SETTING ADAPTER B W5/8" (MANUAL)	1	
650	320859	SYRINGE (BLOW-OUT BULB TYPE)	1	
651	303046	BULL POINT (SDS+) 250MM(ROUND SHANK TYPE)	1	
652	303044	CHEMICAL ANCHOR ADAPTER (SDS+)12.7MMX90L	1	
653	303045	CHEMICAL ANCHOR ADAPTER(SDS+)19.0MMX100L	1	
654	981122	SPECIAL SCREW M6X22	1	
655	930515	CHUCK WRENCH 10G	1	
656	302976	ANCHOR SETTING ADAPTER A (SDS+)W1/4X260L	1	
657	302975	ANCHOR SETTING ADAPTER A(SDS+)W5/16X260L	1	
658	303621	ANCHOR SETTING ADAPTER A (SDS+)W3/8X160L	1	
659	302974	ANCHOR SETTING ADAPTER A (SDS+)W3/8X260L	1	
660	302979	ANCHOR SETTING ADAPTER B (SDS+)W1/4X260L	1	
661	302978	ANCHOR SETTING ADAPTER B(SDS+)W5/16X260L	1	
662	303622	ANCHOR SETTING ADAPTER B (SDS+)W3/8X160L	1	
663	302977	ANCHOR SETTING ADAPTER B (SDS+)W3/8X260L	1	
664	303332	HAMMER DRILL CHUCK SET 13MM	1	INCKUD.665,666
665	303334	CHUCK HANDLE	1	
666	303335	RUBBER CAP	1	
667	303617	TAPER SHANK ADAPTER (SDS PLUS) NO.1	1	
668	303618	TAPER SHANK ADAPTER (SDS PLUS) NO.2	1	
669	303619	A-TAPER SHANK ADAPTER (SDS PLUS)	1	
670	303620	B-TAPER SHANK ADAPTER (SDS PLUS)	1	
671	303625	CORE BIT SHANK (SDS PLUS) 25-38MM 105L	1	
672	303626	CORE BIT SHANK (SDS PLUS) 25-38MM 300L	1	
673	303627	CORE BIT SHANK (SDS PLUS) 45-90MM 300L	1	
674	303624	CHUCK ADAPTER (D) (SDS PLUS)	1	
675	321825	DRILL CHUCK AND ADAPTER SET	1	INCLUD.613,676

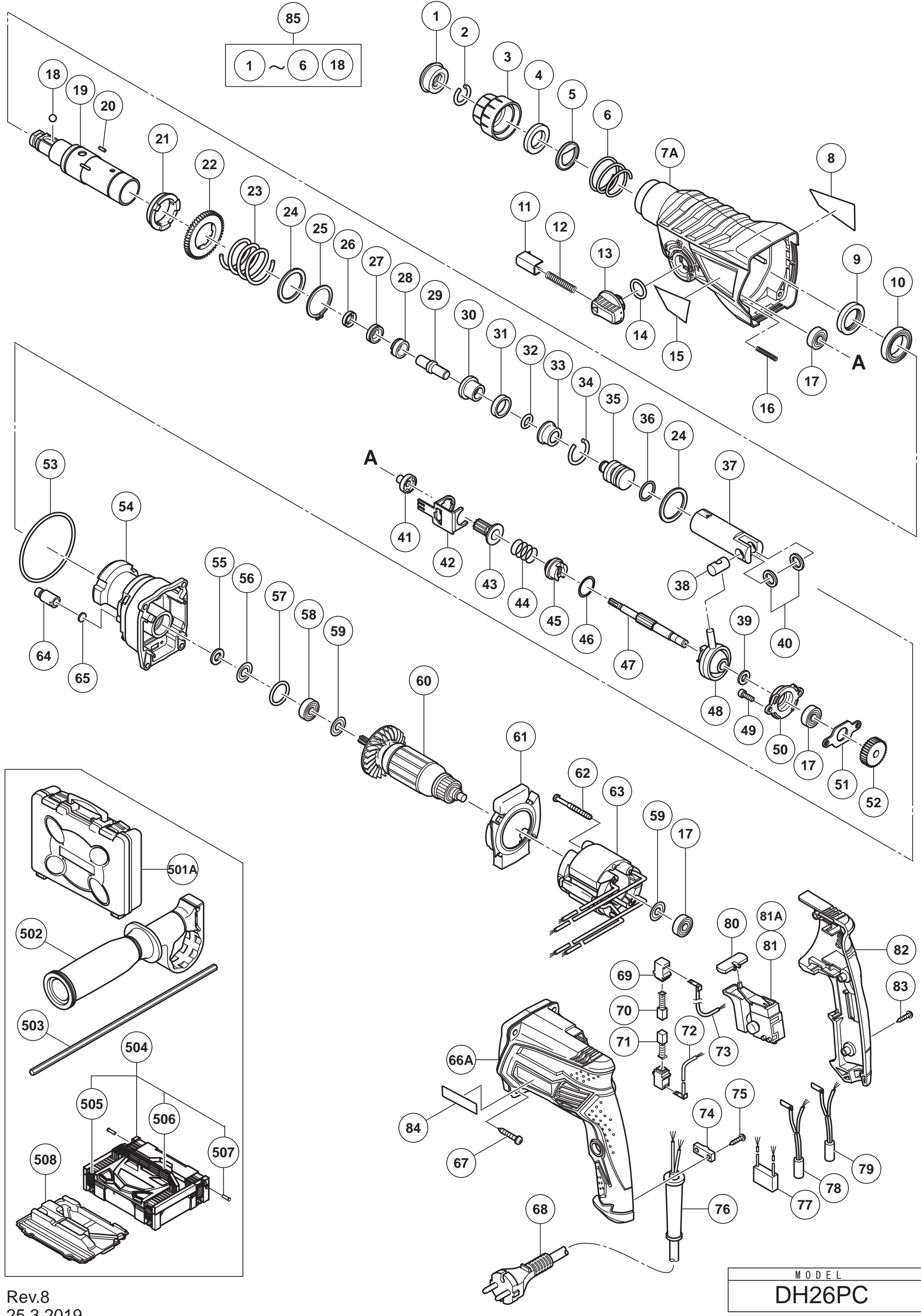
\* ALTERNATIVE PARTS



# ROTARY HAMMER DRILL DH26PC

Item No.	Code No.	Description	No. Used	Remarks
676	303623	CHUCK ADAPTER (G) (SDS PLUS)	1	
678	335781	GREASE FOR ROTARY HAMMER (500G)	1	
679	335782	GREASE FOR ROTARY HAMMER (60G)	1	

\* ALTERNATIVE PARTS



85  
1 ~ 6 18

MODEL  
DH26PC