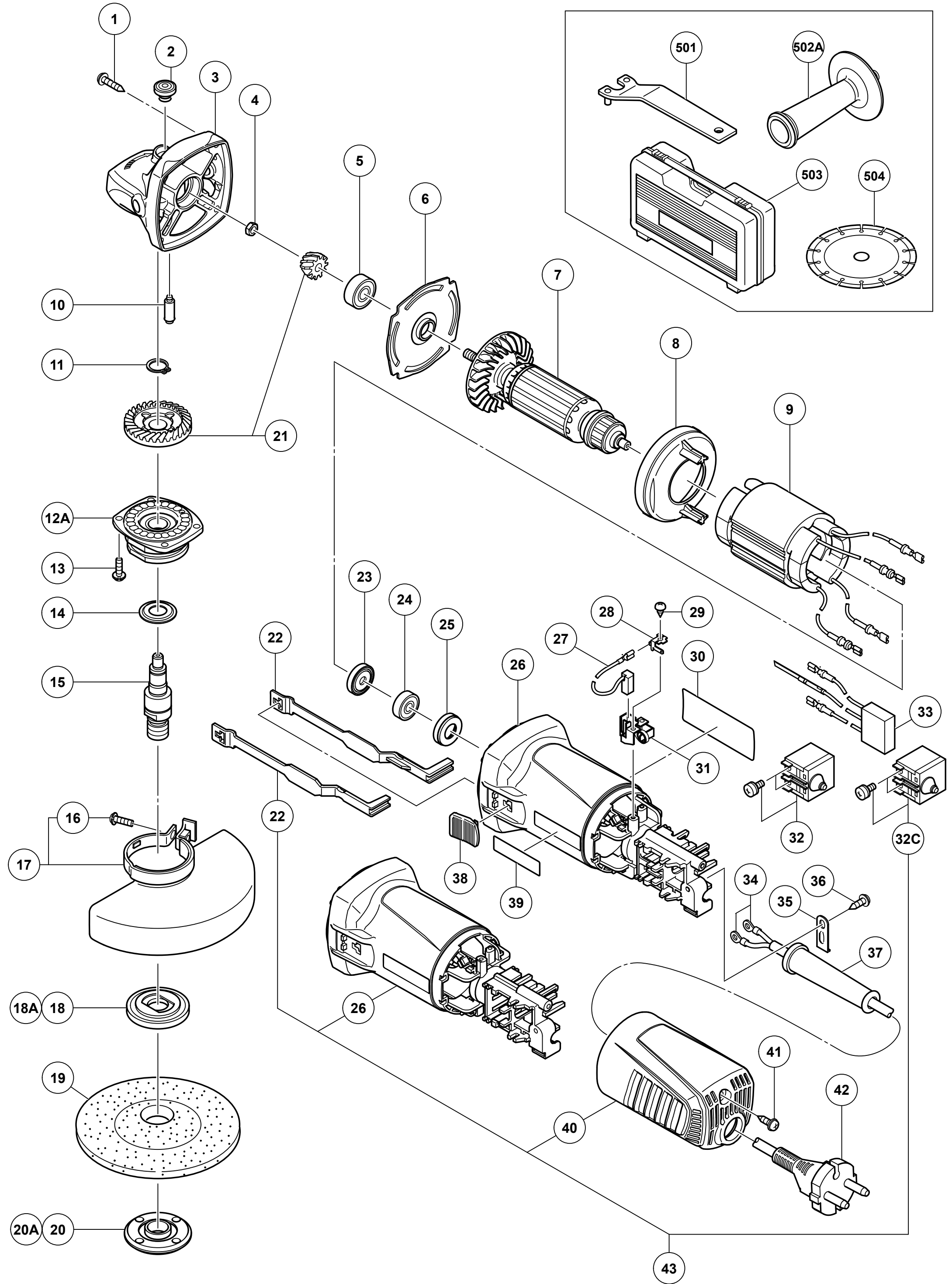


HIKOKI

DISC GRINDER G12SR4

| Item No. | Code No. | Description | No. Used | Remarks |
|----------|----------|---|----------|--|
| 1 | 328643 | TAPPING SCREW (W/FLANGE) D4X23 (BLACK) | 4 | |
| 2 | 301944 | PUSHING BUTTON | 1 | |
| 3 | 339146 | GEAR COVER ASS'Y | 1 | INCLUD.2,10 |
| 4 | 309191 | SPECIAL NUT M6 | 1 | |
| 5 | 338337 | BALL BEARING 608SS | 1 | |
| 6 | 338850 | BEARING HOLDER | 1 | |
| *7 | 361016E | ARMATURE 220V-240V | 1 | |
| 8 | 338853 | FAN GUIDE | 1 | |
| *9 | 340016E | STATOR 220V-230V | 1 | |
| 10 | 301943 | LOCK PIN | 1 | |
| 11 | 316487 | RETAINING RING FOR D11 SHAFT | 1 | |
| 12A | 338849 | PACKING GLAND | 1 | |
| 13 | 328628 | SEAL LOCK SCREW (W/WASHER) M4X12 | 4 | |
| 14 | 328185 | WASHER (A) | 1 | |
| *15 | 330700 | SPINDLE | 1 | |
| 16 | 308386 | MACHINE SCREW (W/SP. WASHER) M5X16(BLACK) | 1 | |
| 17 | 338848 | WHEEL GUARD ASS'Y | 1 | INCLUD.16 |
| *18A | 376067 | WHEEL WASHER | 1 | |
| *20A | 339579 | WHEEL NUT M14 | 1 | |
| 21 | 339265 | GEAR AND PINION SET | 1 | |
| *22 | 338855 | SLIDE BAR | 1 | EXCEPT FOR MODEL(S) SINCE 6.2020 FOR MODEL(S) |
| *22 | 370023 | SLIDE BAR | 1 | TILL 5.2020 FOR MODEL(S) |
| 23 | 321722 | DUST SEAL | 1 | |
| 24 | 339145 | BALL BEARING 626ZZ | 1 | |
| 25 | 309929 | RUBBER BUSHING | 1 | |
| *26 | 339140 | HOUSING | 1 | EXCEPT FOR MODEL(S) SINCE 6.2020 FOR MODEL(S) |
| *26 | 370018 | HOUSING | 1 | TILL 5.2020 FOR MODEL(S) |
| 27 | 999067 | CARBON BRUSH 6.5X7.5X14 (1 PAIR) | 2 | |
| 28 | 339185 | TAB TERMINAL | 2 | |
| 29 | 328210 | TAPPING SCREW D3X8 | 4 | |
| 30 | | NAME PLATE | 1 | |
| 31 | 333844 | BRUSH HOLDER | 2 | |
| *32 | 339149 | PUSHING BUTTON SWITCH | 1 | |
| *32C | 376230 | PUSHING BUTTON SWITCH 220V-240V | 1 | SINCE 6.2020 FOR MODEL(S) 220V-240V |
| *33 | 339147 | NOISE SUPPRESSOR 220V-240V | 1 | FOR EUROPE,AUS,NZL,GBR (230V),RUS,SAF, MODEL(S) |
| *34 | 980063 | TERMINAL | 2 | |
| *34 | 311741 | TERMINAL | 2 | FOR MODEL(S) |
| *35 | 338334 | CORD CLIP | 1 | |
| 36 | 305720 | TAPPING SCREW (W/FLANGE) D4X12 | 1 | |
| *37 | 953327 | CORD ARMOR D8.8 | 1 | |
| 38 | 338854 | SLIDE SWITCH KNOB | 1 | |
| 39 | | BRAND LABEL | 1 | |
| *40 | 339141 | TAIL COVER | 1 | EXCEPT FOR MODEL(S) SINCE 6.2020 FOR MODEL(S) |
| *40 | 370019 | TAIL COVER | 1 | TILL 5.2020 FOR MODEL(S) |
| 41 | 305812 | TAPPING SCREW (W/FLANGE) D4X16 (BLACK) | 1 | |
| *42 | 500409Z | CORD | 1 | (CORD ARMOR D8.8) |
| *43 | 376370 | PUSHING BUTTON SWITCH SET 220V-240V | 1 | INCLUD.22,26,32C,40 TILL 5.2020 FOR MODEL(S) |
| | | STANDARD ACCESSORIES | | |

* ALTERNATIVE PARTS



MODEL
G12SR4