

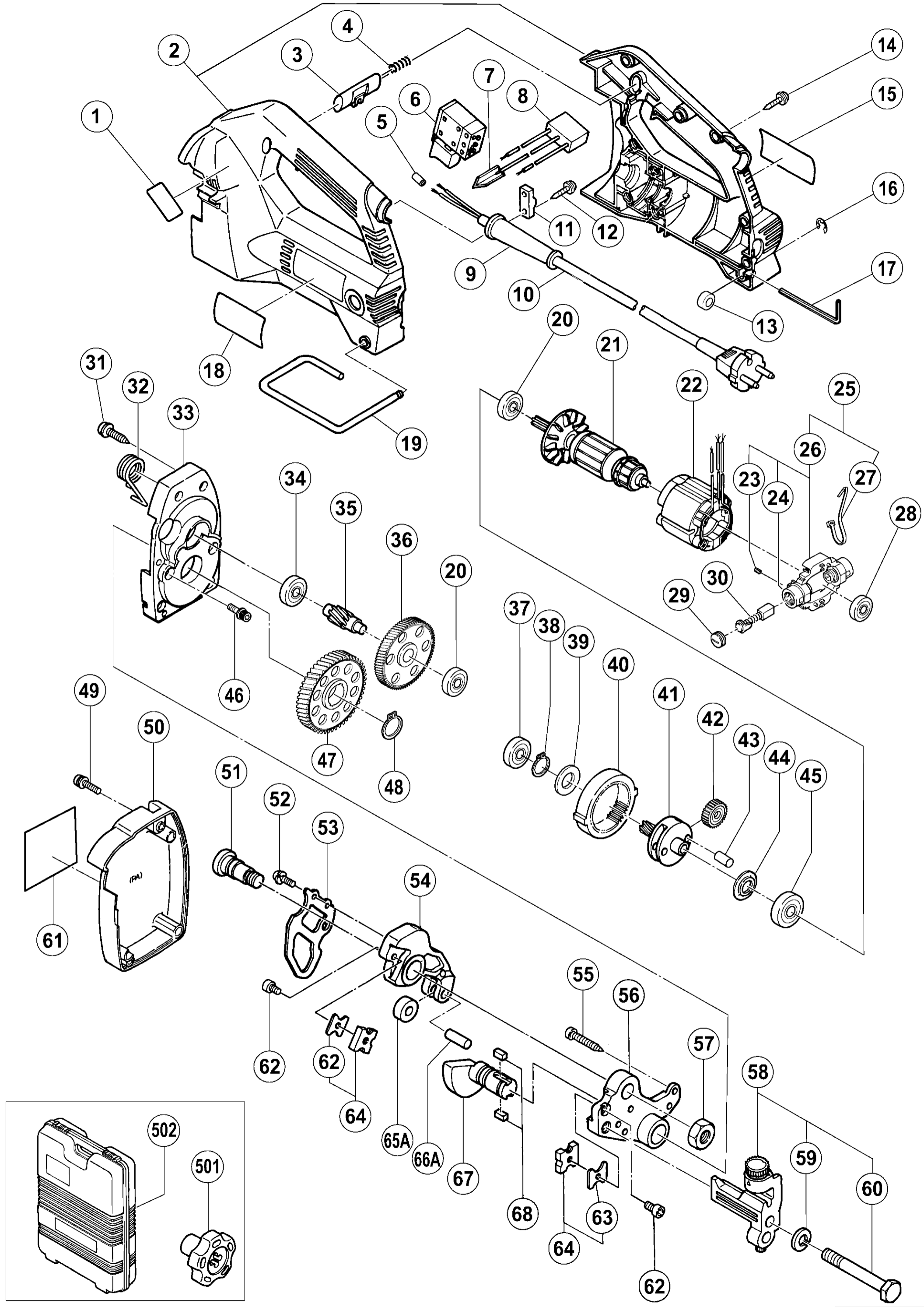
HIKOKI

10MM STUD CUTTER

CL 10

Item No.	Code No.	Description	No. Used	Remarks
1		CAUTION PLATE (E)	1	
2	319411	HOUSING (A).(B) SET	1	
3	319402	PUSHING BUTTON (A)	1	
4	319403	SPRING (A)	1	
5	981373	TUBE (D)	2	FOR CORD
6	319412	SWITCH	1	
7	992635	EARTH TERMINAL	1	
8	994273	NOISE SUPPRESSOR	1	
*9	953327	CORD ARMOR D8.8	1	
*9	938051	CORD ARMOR D10.1	1	
*10	500235Z	CORD	1	(CORD ARMOR D8.8)
*10	500391Z	CORD	1	(CORD ARMOR D10.1) FOR SUI
*10	500440Z	CORD	1	(CORD ARMOR D8.8) FOR GBR
*10	930055	CORD	1	(CORD ARMOR D10.1) FOR TPE
11	937631	CORD CLIP	1	
12	984750	TAPPING SCREW (W/FLANGE) D4X16	2	
13	307607	WRENCH HOLDER	1	
14	301653	TAPPING SCREW (W/FLANGE) D4X20 (BLACK)	9	
15		NAME PLATE	1	
16	968643	RETAINING RING (E-TYPE) FOR D4 SHAFT	1	
17	944458	HEX. BAR WRENCH 4MM	1	
18		BRAND LABEL	1	
19	319401	HOOK	1	
20	608VVM	BALL BEARING 608VVC2PS2L	2	
21	360545E	ARMATURE 230V	1	
*21	360545C	ARMATURE 110V	1	
22	340490E	STATOR 230V	1	
*22	340490C	STATOR 110V	1	
23	981478	HEX. SOCKET SET SCREW M4X4	2	
24	957571	BRUSH HOLDER	2	
25	319408	BRUSH BLOCK ASS'Y	1	INCLUD.26,27
26	315992	BRUSH BLOCK ASS'Y	1	INCLUD.23,24
27	313505	WIRE BAND	2	
28	626VVM	BALL BEARING 626VVC2PS2L	1	
29	931266	BRUSH CAP	2	
30	999021	CARBON BRUSH (1 PAIR)	2	
31	305558	TAPPING SCREW (W/FLANGE) D5X25 (BLACK)	4	
32	307624	RETURN SPRING	1	
33	307622	GEAR COVER	1	
34	629VVM	BALL BEARING 629VV	1	
35	319407	THIRD PINION	1	
36	319406	SECOND GEAR	1	
37	609VVM	BALL BEARING 609VVC2PS2L	1	
38	939544	RETAINING RING FOR D15 SHAFT (10 PCS.)	1	
39	302714	WASHER	1	
40	310254	RING GEAR	1	
41	319405	SECOND PINION	1	
42	319404	IDLE GEAR	2	
43	307609	NEEDLE	2	
44	307608	WASHER	1	
45	6001VV	BALL BEARING 6001VV	1	
46	998471	HEX. SOCKET HD. BOLT (W/FLANGE) M5X12	3	
47	319393	FINAL GEAR	1	

* ALTERNATIVE PARTS



形名
CL10SA