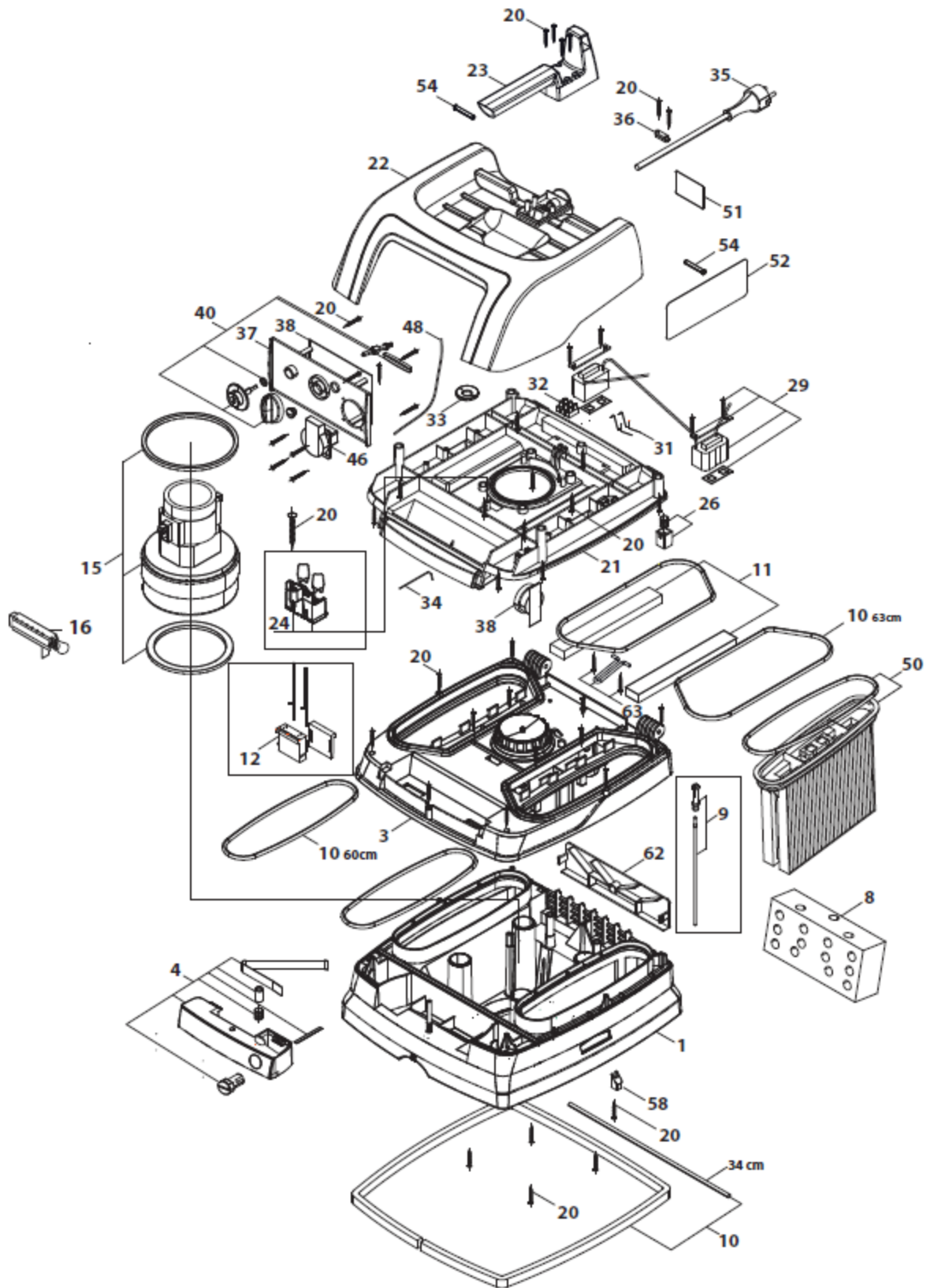
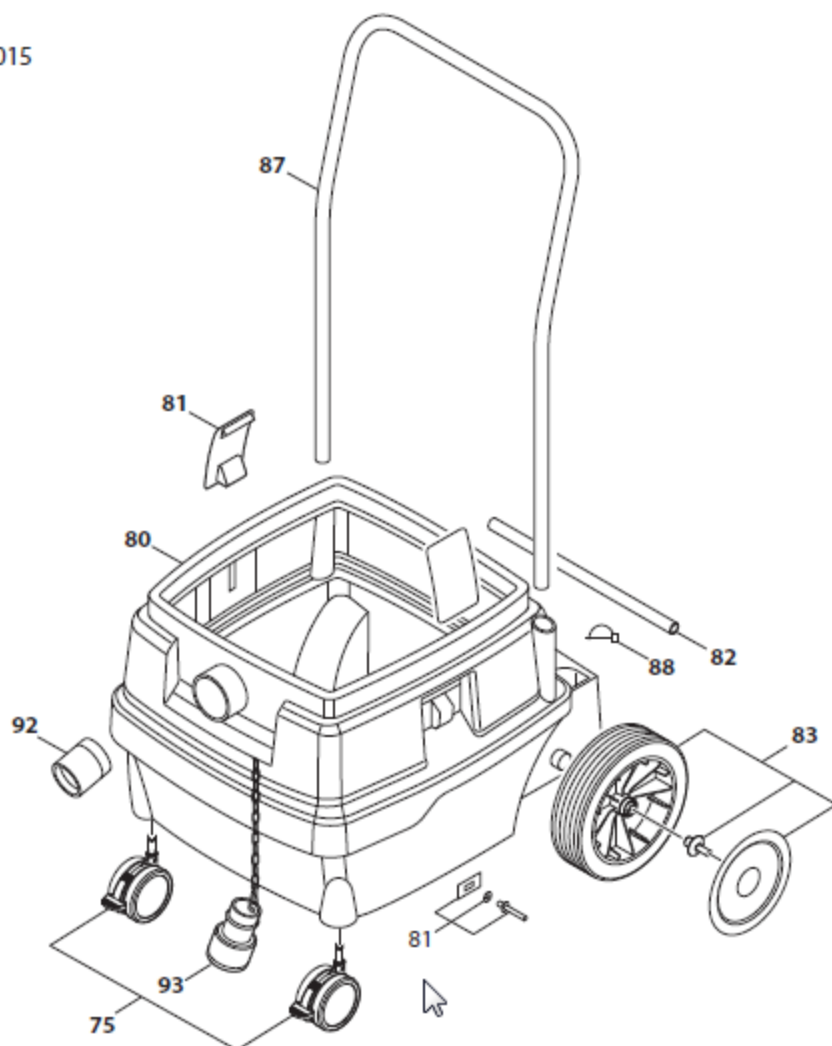


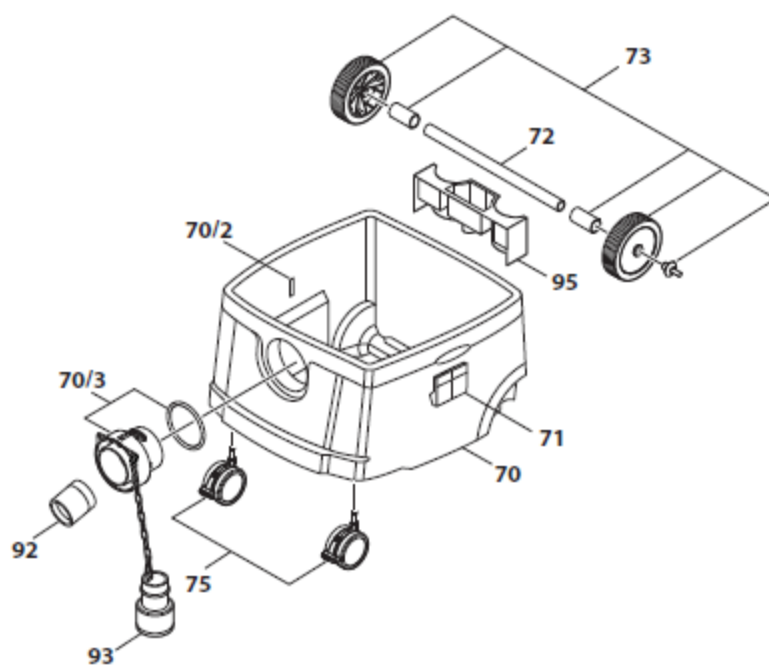
HITACHI RP250 / 500YDM



RP 500 YDM
Stand / issue 11/2015



RP 250 YDM
Stand / issue 11/2015



Spare Parts		8-12-2015		
Price List				
Issue: 10-15				
A= RP 250 YDM				
B= RP 500 YDM				
Pos.-Nr.	Hitachi Item No.	Description (EN)	Type	EAN
01	338656	Lower housing Zb	A+B	4549115100527
03	338657	Motor housing	A+B	4549115100534
04	338658	Set Lock bar Zb	A+B	4549115100541
08+11	338664	Set Motor protection filter	A+B	4549115100602
09	338621	Set Electrode	A+B	4549115100176
10	338663	Set square bar sealing + foam rubber	A+B	4549115100596
12	338615	Set Motor plug connector	A+B	4549115100114
15	338623	Set Motor 230V	A+B	4549115100190
16	338624	Set carbon brushes	A+B	4549115100206
20	338613	Spax screw 3,5x24mm (1x)	A+B	4549115100091
21	338667	Carrier plate	A+B	4549115100633
22	338669	Cover housing ISC	A+B	4549115100657
23	338670	Handle	A+B	4549115100664
24	338598	Motor plug socket	A+B	4549115099944
26	338614	Ser pressure piece	A+B	4549115100107
29	338671	Set Vibrating magnet	A+B	4549115100671
31	338602	Set Contact bow	A+B	4549115099982
32	338600	Luster terminal	A+B	4549115099968
33	338597	Set holding disc (4x)	A+B	4549115099937
34	338611	Contact wire	A+B	4549115100077
35	338585	Power cord	A+B	4549115099814
36	338586	Strain relief clamp	A+B	4549115099821
37	338674	Set Front plate + lens	A+B	4549115100701
38	338675	Set Electronic plate	A+B	4549115100718
40	338677	Set Adjusting knob	A+B	4549115100732
46	338595	Power tool plug socket	A+B	4549115099913
48	338612	Vacuum tube	A+B	4549115100084
50	338633	Filter cartridge polyester	A+B	4549115100299
51	338659	Specification plate	A	4549115100558
51	338660	Specification plate	B	4549115100565
52	338640	Label "M"	A+B	4549115100367
54	338684	Set bearing pin	A+B	4549115100800
58	338685	Set distance piece	A+B	4549115100817
62	338683	Set Diffuser	A+B	4549115100794
63	338687	Set Brace support	A+B	4549115100831

Canister RP250YDM				
70	338688	Container	A	4549115100848
70/2	338689	Discharge bolt	A	4549115100855
70/3	338646	Set Inlet fitting (drilled)	A	4549115100428
71	338691	Set closing latch	A	4549115100879
72	338692	Axle = 378+/- 1mm	A	4549115100886
73	338693	Set wheel	A	4549115100893
75	338694	Set caster wheel	A+B	4549115100909
92	338652	Set Rotary valve	A+B	4549115100480
93	338651	Set Container stopper	A+B	4549115100473
95	338653	Accessories fastener	A	4549115100497
Canister RP500YDM				
75	338694	Set caster wheel	A+B	4549115100909
80+92	338698	Container 50l "M/H" + Rotary valve	B	4549115100947
81	338702	Set closing latch	B	4549115100985
82	338699	Axle	B	4549115100954
83	338645	Set wheel	B	4549115100411
87	338704	Pushing handle	B	4549115101111
88	338655	Set Fastener spring	B	4549115100510
92	338652	Set Rotary valve	A+B	4549115100480
93	338651	Set Container stopper	A+B	4549115100473