

HIKOKI

GAS STRIP NAILER

| Item No. | Code No. | Description | No. Used | Remarks |
|----------|----------|---------------------------------------|----------|--------------------|
| 1 | 996399 | HEX. SOCKET HD. BOLT (W/FLANGE) M5X12 | 1 | |
| 2A | 886598 | TOP COVER | 1 | |
| 3 | 886129 | FILTER | 1 | |
| 4A | 887735 | MOTOR (A) | 1 | |
| 5 | 885313 | RUBBER WASHER | 1 | |
| 6 | 885318 | ROLL PIN D2.5X25 | 1 | |
| 7 | 885310 | MOTOR MOUNT | 1 | |
| 8 | 885314 | MOUNT SLEEVE | 1 | |
| 9 | 885320 | SHAFT WASHER | 1 | |
| 10 | 885333 | SPARK PLUG (A) | 1 | |
| 11 | 885319 | MOTOR SPRING | 1 | |
| 12 | 949757 | HEX. SOCKET HD. BOLT M5X20 (10 PCS.) | 4 | |
| 13 | 885308 | CYLINDER HEAD ASS'Y | 1 | |
| 14 | 885316 | O-RING (I.D. 59.92) | 1 | |
| 15 | 949554 | NUT M4 (10 PCS.) | 2 | |
| 16 | 949423 | WASHER M4 (10 PCS.) | 2 | |
| 17 | 885311 | FAN | 1 | |
| 18 | 949754 | HEX. SOCKET HD. BOLT M4X16 (10 PCS.) | 4 | |
| 19 | 885294 | CHAMBER HEAD | 1 | |
| 20 | 886133 | GASKET (B) | 1 | |
| 21 | 885296 | CHAMBER | 1 | |
| 22 | 878607 | PLUNGER O-RING | 2 | |
| 23 | 880319 | SHAFT RING | 1 | |
| 24 | 949431 | BOLT WASHER M5 (10 PCS.) | 2 | |
| 25 | 885277 | SHAFT | 1 | |
| 26 | 949214 | MACHINE SCREW M4X6 (10 PCS.) | 4 | |
| 27A | 886313 | ADAPTER | 1 | |
| 28 | 961681 | HEX. SOCKET SET SCREW M4X5 | 2 | |
| 29 | 885297 | CHAMBER LOCK PLATE | 1 | |
| 30 | 886484 | PIN (A) | 2 | |
| 31 | 885306 | SWITCH PLATE | 1 | |
| 32 | 885283 | O-RING (I.D. 66.27) | 1 | |
| 33 | 885285 | RETAINING RING | 1 | |
| 34 | 885286 | PISTON RING | 2 | |
| 35 | 885291 | PISTON | 1 | |
| 36 | 885289 | PISTON BUMPER (A) | 1 | |
| *37 | 885284 | CHAMBER STOP RUBBER | 2 | FOR USA, CAN |
| 38 | 885361 | CYLINDER ASS'Y | 1 | INCLUD. 39-42, 128 |
| 39 | 949812 | HEX. SOCKET HD. BOLT M4X10 (10 PCS.) | 2 | |
| 40 | 886467 | BUFFER COVER (A) | 1 | |
| 41 | 885290 | LEAD VALVE | 1 | |
| 42 | 885288 | MUFFLER (A) | 1 | |
| 43 | 885355 | BLADE GUIDE | 1 | |
| 44 | 885270 | PLATE SLEEVE | 2 | |
| 45 | 885326 | SIDE PLATE | 1 | |
| 46 | 886544 | SPECIAL NUT M5 | 2 | |
| 47 | 886545 | NYLOCK HEX. SOCKET HD. BOLT M5X50 | 2 | |
| 48 | 885269 | NOSE SLEEVE | 2 | |
| 49 | 886241 | SEAL LOCK HEX. SOCKET HD. BOLT M4X10 | 2 | |
| 50A | 886319 | CONICAL SPRING H8 | 4 | |
| 51 | 886546 | PUSHING LEVER ARM (C) | 1 | |
| 52 | 886245 | PUSHING LEVER SPRING (A) | 2 | |
| 53 | 885301 | PUSHING LEVER CONNECTOR | 1 | |

* ALTERNATIVE PARTS

HIKOKI

GAS STRIP NAILER

| Item No. | Code No. | Description | No. Used | Remarks |
|----------|----------|--|----------|--------------|
| 54 | 885299 | CYLINDER PLATE (A) | 1 | |
| 55 | 980046 | SEAL LOCK HEX. SOCKET HD. BOLT M5X10 | 2 | |
| 56 | 956329 | U-NUT M4 | 2 | |
| 57 | 886547 | PUSHING LEVER ARM (D) | 1 | |
| 58 | 949819 | HEX. SOCKET HD. BOLT M5X10 (10 PCS.) | 1 | |
| 62 | 886128 | PUSHING STOPPER | 1 | |
| 63 | 886144 | PUSHING LEVER(A) | 1 | |
| 64 | 885272 | ADJUSTER BUSH (A) | 1 | |
| 65 | 888755 | NAME PLATE | 1 | |
| 66 | 885304 | SCREW M5 | 4 | |
| 67 | 886134 | HOUSING | 1 | |
| 68 | 885307 | INSULATOR SHEET | 1 | |
| 69A | 328922 | BRAND PLATE | 1 | |
| 70 | 886244 | HOUSING ASS'Y | 1 | INCLUD.66-68 |
| 71 | 876465 | NYLON NUT M4 | 1 | |
| 72 | 949820 | HEX. SOCKET HD. BOLT M5X15 (10 PCS.) | 1 | |
| 73A | 878164 | SLEEVE | 1 | |
| 74 | 302086 | TAPPING SCREW (W/FLANGE) D4X20 (BLACK) | 5 | |
| 75 | 886256 | HANDLE (B) | 1 | |
| 76 | | CAUTION PLATE | 1 | |
| | | | | FOR EUROPE |
| 77 | 888762 | WARNING LABEL | 1 | |
| 78 | 301815 | TAPPING SCREW (W/FLANGE) D4X45 (BLACK) | 1 | |
| 79 | 885334 | SWITCH MOUNT | 1 | |
| 80 | 885347 | SWITCH ARM | 1 | |
| 81 | 885338 | PRISM (A) | 1 | |
| 82 | 885337 | LOCK BAR SPRING | 1 | |
| 83 | 885339 | WIRING COVER | 1 | |
| 84 | 885346 | FLAT HD. TAPPING SCREW D4X10 | 1 | |
| 85 | 885595 | CONTROLLER | 1 | |
| 86 | 309933 | TAPPING SCREW (W/FLANGE) D4X14 (BLACK) | 3 | |
| 87 | 885828 | TRIGGER SPRING (A) | 1 | |
| 88A | 887617 | CHAMBER LOCK BAR | 1 | |
| 89 | 885349 | PIN D2.5 | 1 | |
| 90 | 885798 | TRIGGER INTERNAL WIRE (A) SET | 1 | |
| 96 | 877371 | NYLON NUT M5 | 1 | |
| 97 | 885341 | NAIL RAIL | 1 | |
| 98 | 885342 | MAGAZINE PLATE | 1 | |
| 99 | 886141 | CELL LEVER (A) | 1 | |
| 100 | 885280 | LATCH | 1 | |
| 101 | 949859 | ROLL PIN D2X8 (10 PCS.) | 2 | |
| 102 | 885281 | SPRING D3.6 | 1 | |
| 103 | 885352 | CELL COVER | 1 | |
| 104 | 886131 | CELL RUBBER (A) | 1 | |
| *105 | 324148 | BATTERY EB 714S (EUROPE,AUS,NZL) | 2 | |
| *105 | 325292 | BATTERY EB 714S (USA,CAN/CLAMSHELL) | 2 | |
| 106 | 885323 | NAIL FEEDER (A) | 1 | |
| 107 | 886257 | TENSION PLATE (C) | 1 | |
| 108 | 885518 | SPRING | 1 | |
| 109 | 886147 | SWITCH LEVER (B) ASS'Y | 1 | INCLUD.107 |
| 110 | 885349 | PIN D2.5 | 1 | |
| 111 | 886138 | LEVER STOPPER | 1 | |
| 112 | 949506 | ROLL PIN D4X28 (10 PCS.) | 1 | |

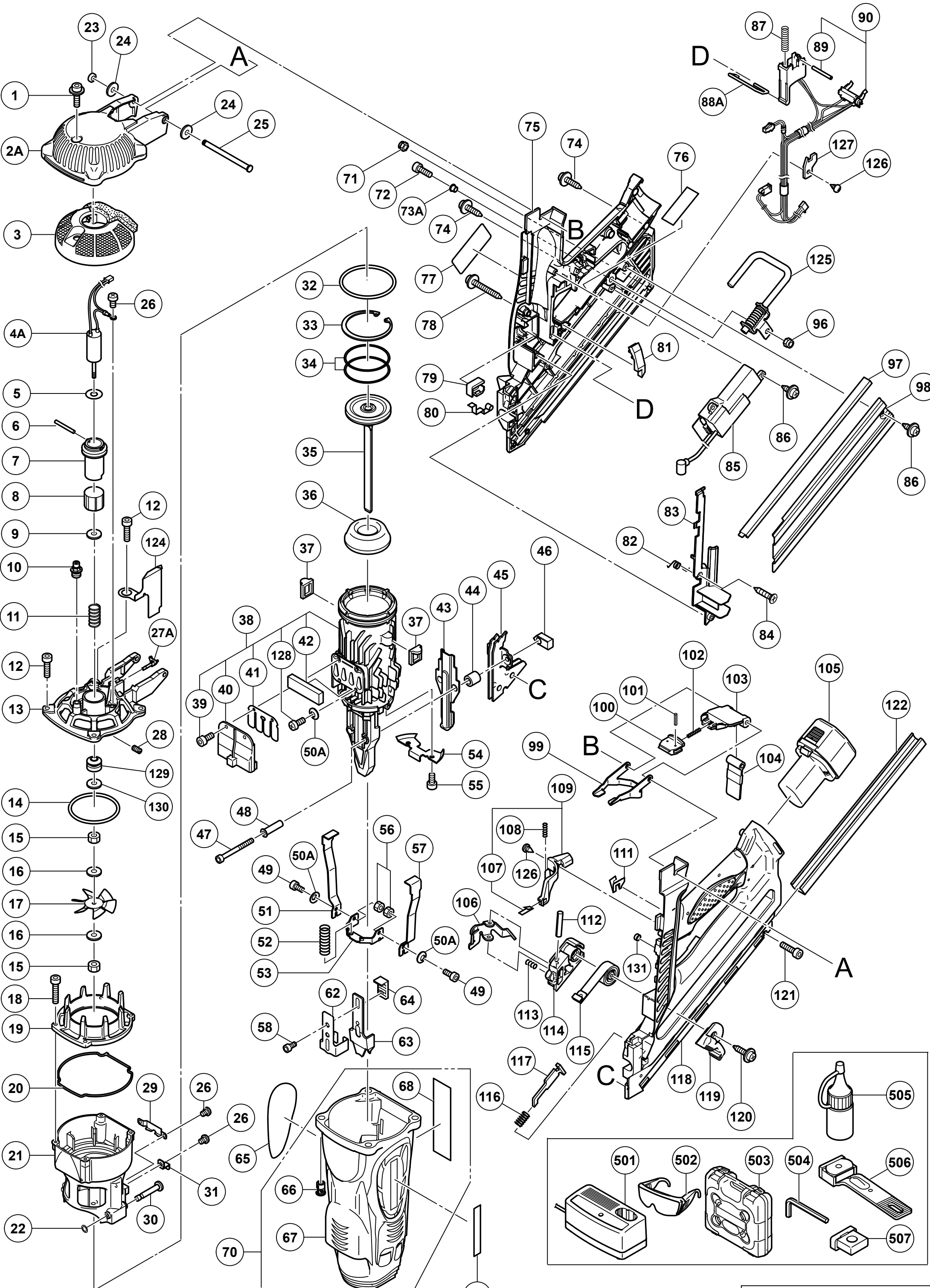
* ALTERNATIVE PARTS

HIKOKI

GAS STRIP NAILER

| Item No. | Code No. | Description | No. Used | Remarks |
|----------|----------|--|----------|------------------------------------|
| 113 | 883687 | SPRING | 1 | |
| 114 | 885324 | NAIL FEEDER (B) | 1 | |
| 115 | 885325 | RIBBON SPRING | 1 | |
| 116 | 885328 | SPRING D8 | 1 | |
| 117 | 885327 | PUSHING LEVER STOPPER | 1 | |
| 118 | 886728 | HANDLE (A) | 1 | |
| 119 | 886246 | FEEDER KNOB | 1 | |
| 120 | 302089 | TAPPING SCREW (W/FLANGE) D5X20 (BLACK) | 1 | |
| 121 | 880003 | HEX. SOCKET HD. BOLT M4X18 | 1 | |
| 122 | 885354 | MAGAZINE GUARD | 1 | |
| 124 | 886253 | WIRING PLATE | 1 | |
| 125 | 886255 | HOOK (B) | 1 | |
| 126 | 885714 | TAPPING SCREW D3X8 | 2 | |
| 127 | 886548 | WIRING PLATE (B) | 1 | |
| 128 | 303631 | SEAL LOCK SCREW M4X6 (BLACK) | 2 | |
| 129 | 886470 | SHAFT COVER | 1 | |
| 130 | 886471 | WASHER | 1 | |
| 131 | 886543 | SLEEVE | 1 | |
| | | STANDARD ACCESSORIES | | |
| 501 | | CHARGER (MODEL UC 7SD) | 1 | |
| 502 | 875769 | PROTECTIVE GLASSES | 1 | |
| 503 | 886254 | CASE | 1 | |
| 504 | 944458 | HEX. BAR WRENCH 4MM | 1 | |
| 505 | 886036 | LUBRICANT OILER (B) | 1 | FOR EUROPE |
| 506 | 885788 | RUBBER NOSE ASS'Y | 1 | INCLUD. 507 FOR NOR, SWE, DEN, FIN |
| 507 | 885791 | RUBBER NOSE | 1 | FOR NOR, SWE, DEN, FIN |
| | | OPTIONAL ACCESSORIES | | |
| *601 | 885246 | LUBRICANT OILER (A) | 1 | |
| *601 | 885546 | LUBRICANT OILER (A) | 1 | FOR USA, CAN |
| 602 | 885788 | RUBBER NOSE ASS'Y | 1 | INCLUD. 603 |
| 603 | 885791 | RUBBER NOSE | 1 | |

* ALTERNATIVE PARTS



Rev.8
26.4.2021

MODEL
NR90GC2