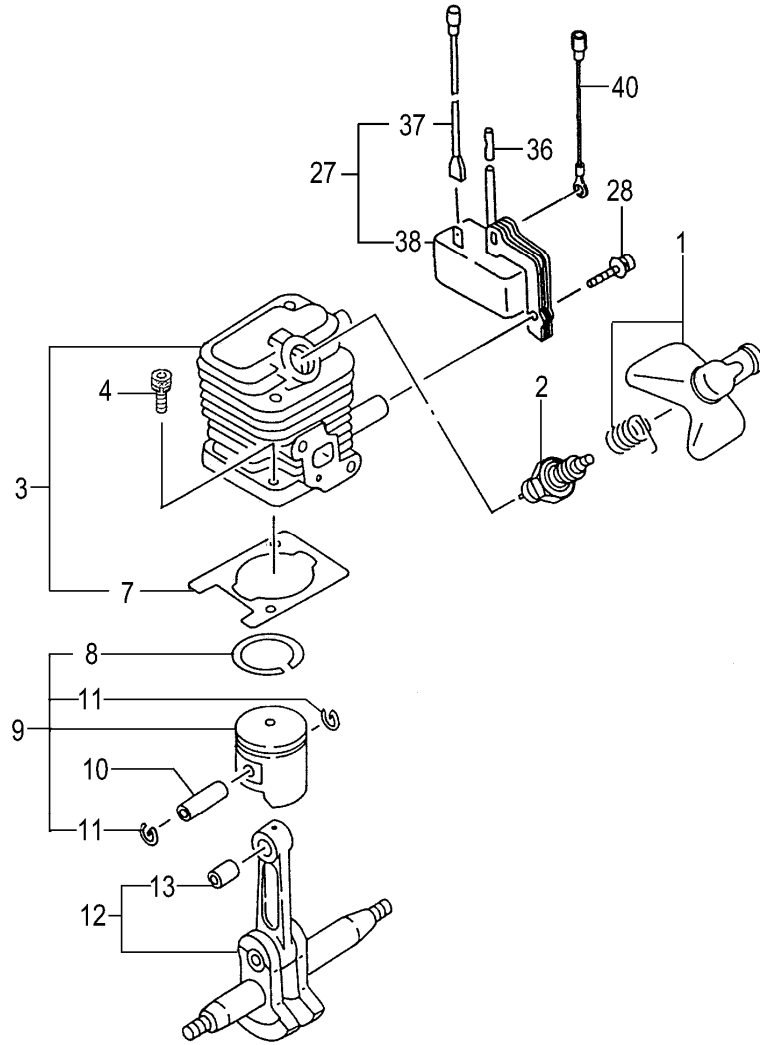
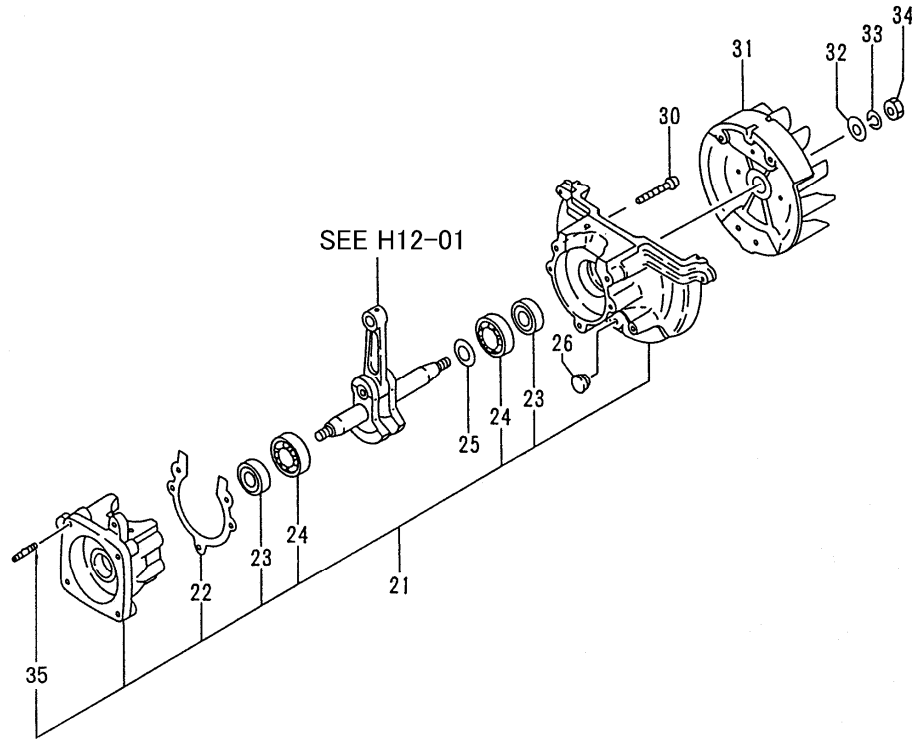


H12-01CH78EC (C) /105EC (C) CYLINDER/PISTON/CRANK SHAFT



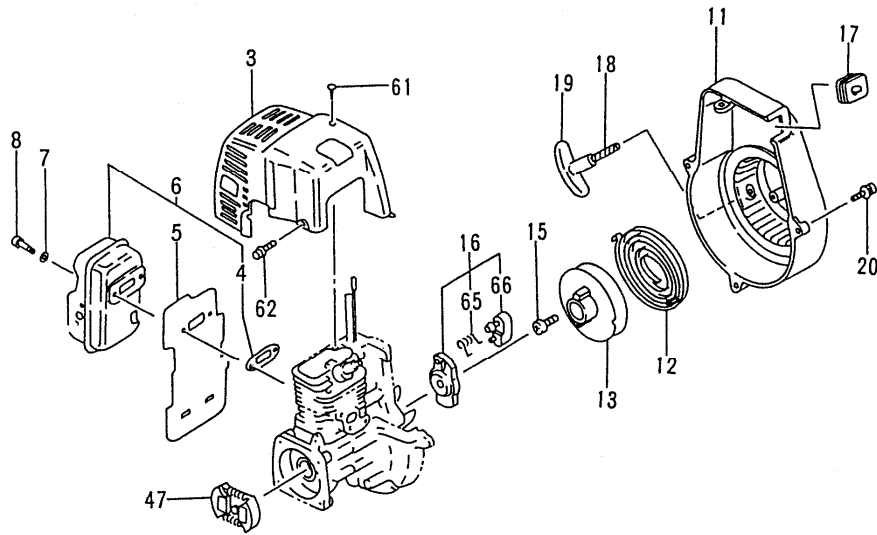
REF. NUMBER	PARTS NUMBER	DESCRIPTION	Q'TY	SERIAL NUMBER
001	157-06500-91	SPARK PLUG CAP ASS'Y	1	
002	018-00555-20	SPARK PLUG, RCJ8Y	1	
003	001-06600-90	CYLINDER SET	1	
004	994-61050-184	HEX. HOLE BOLT 5X18/S	2	
007	017-06500-20	CYLINDER GASKET	1	
008	041-01601-20	PISTON RING	2	
009	030-06600-90	PISTON SET, SPARE	1	
010	037-07045-20	PISTON PIN	1	
011	039-01620-20	PISTON PIN CIRCLIP	2	
012	046-06500-80	CRANK SHAFT COMP.	1	
013	999-62081-225	NEEDLE BRG F-810 1.4X8.5	1	
027	153-21532-90	IGNITION COIL ASS'Y	1	
028	994-64040-184	HEX. HOLE BOLT 4X18WS	2	
036	250-06500-20	INSULATOR TUBE, 50L	1	
037	178-06500-80	CORD	1	
038	167-21532-80	IGNITION COIL COMP.	1	
040	274-0700D-80	CORD, B130M	1	

H12-02 CH78EC(C)/105EC(C) CRANK CASE



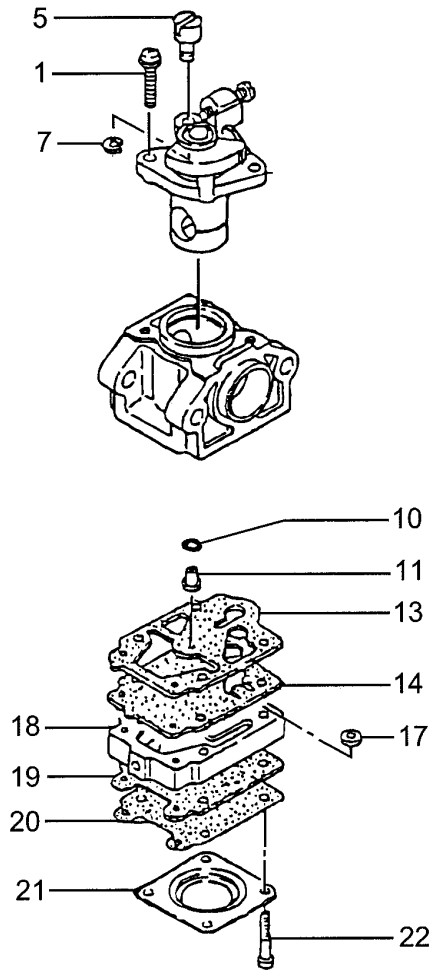
REF. NUMBER	PARTS NUMBER	DESCRIPTION	Q'TY	SERIAL NUMBER
021	072-06500-90	CRANK CASE ASS'Y	1	
022	090-06500-20	CRANKCASE GASKET	1	
023	999-66122-200	OIL SEAL TB 12227	2	
024	999-61600-115	BALL BEARING 6001 C3	2	
025	330-00200-23	GEAR SHAFT SHIM 0.20	V	
025	330-00200-24	GEAR SHAFT SHIM 0.30	V	
026	599-00601-20	ANTI-VIBE RUBBER	1	
030	994-61050-304	HEX. HOLE BOLT 5X30S	3	
031	155-21523-80	MAGNETO ROTOR COMP.	1	
032	992-01080-011	WASHER 8	1	
033	992-10080-012	S.WASHER 8	1	
034	991-01080-011	HEX. NUT 8	1	
035	100-02100-20	STUD BOLT 6X22	2	

H12-04 CH78EC(C)/105EC(C) ENGINE-2



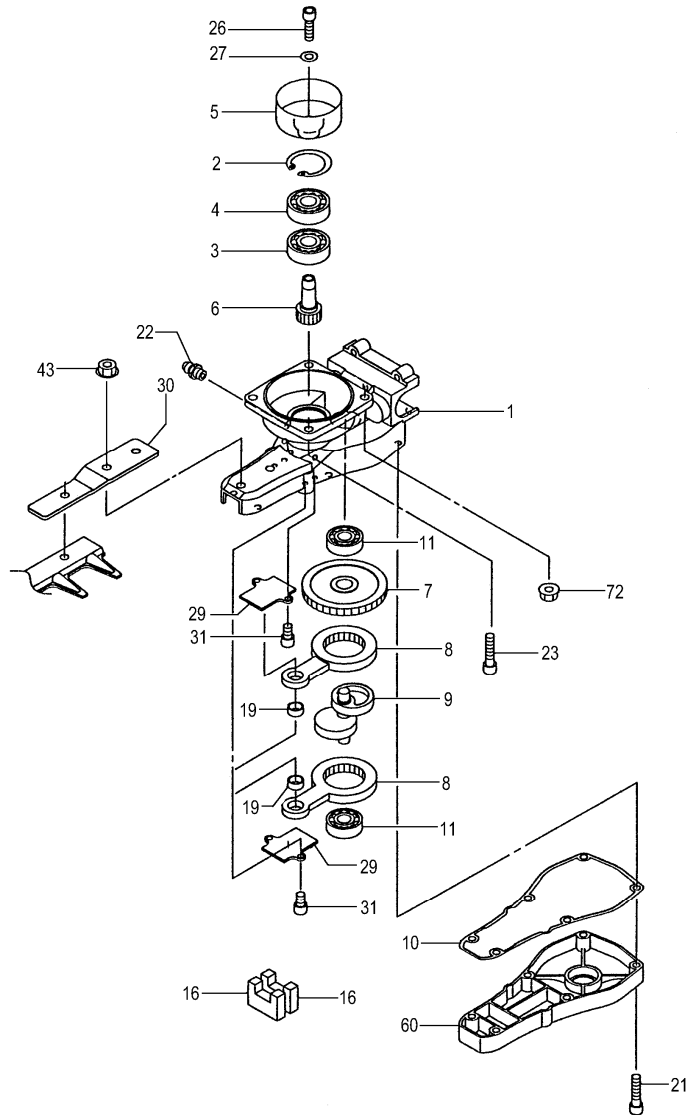
REF. NUMBER	PARTS NUMBER	DESCRIPTION	Q'TY	SERIAL NUMBER
003	738-06600-20	MUFFLER PROTECTOR	1	
004	737-06500-20	MUFFLER GASKET	1	
005	133-06500-20	HEAT SHIELD	1	
006	704-06504-91	MUFFLER SET	1	
007	992-01050-011	WASHER 5	2	
008	990-51050-503	HEX. HOLE BOLT 5X50	2	
011	112-06500-80	FAN CASE COMP., VERMILI	1	
012	780-06097-20	RECOIL SPRING	1	
013	774-06097-20	STARTER ROPE REEL	1	
015	839-02010-20	SET SCREW	1	
016	798-06500-90	STARTER PULLEY ASS'Y	1	
017	203-0604A-20	GROMMET	1	
018	783-06097-20	STARTER ROPE	1	
019	785-06410-20	STARTER HANDLE	1	
020	994-63040-154	HEX.HOLE BOLT 4X15/PS	3	
047	277-0634F-91	CLUTCH ASS'Y	1	
061	990-72045-164	TAPPING SCREW 4.5X16	1	
062	994-25040-128	BOLT 4X12PS	2	
065	790-06097-20	STARTER PAWL SPRING	1	
066	788-06500-20	STARTER PAWL	1	

H12-05 CH78EC(C)/105EC(C) CARBURETOR



REF. NUMBER	PARTS NUMBER	DESCRIPTION	Q'TY	SERIAL NUMBER
001	548-25140-20	THROTTLE SET SCREW	2	
005	539-25120-20	SWIVEL	1	
007	489-25100-20	STOP RING	1	
010	550-25100-20	O-RING	1	
011	599-200BW-34	MAIN JET #34.5	1	
013	577-25100-20	PUMP GASKET	1	
014	576-25100-20	PUMP DIAPHRAGM	1	
017	578-25007-20	INLET SCREEN	1	
018	575-25147-80	PUMP BODY COMP.	1	
019	475-25038-20	DIAPHRAGM GASKET	1	
020	474-25001-80	METERING DIAPHRAGM CO	1	
021	476-25004-20	DIAPHRAGM COVER	1	
022	548-25101-20	SET SCREW	4	

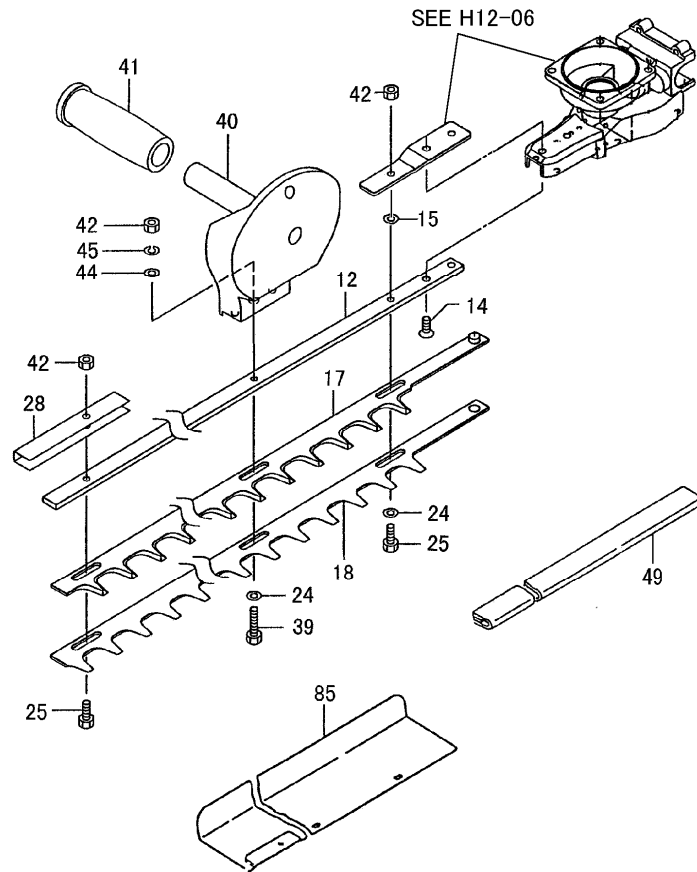
H12-06 CH78EC(C)/105EC(C) GEAR CASE



REF. NUMBER	PARTS NUMBER	DESCRIPTION	Q'TY	SERIAL NUMBER
001	300-33185-20	GEAR CASE A	1	
002	993-51026-002	STOP RING C-26, INNER	1	
003	999-61600-000	BALL BEARING #6000, 26MM	1	
004	999-61600-002	BALL BEARING #6000Z, 26MM	1	
005	288-33185-80	CLUTCH HOUSING COMP.	1	
006	306-33280-20	GEAR 1	1	
007	307-33280-20	GEAR 2	1	
008	101-33185-80	CAM-ROD COMP.	2	
009	100-33185-20	CAM SHAFT	1	
010	303-33185-20	GEAR CASE GASKET	1	
011	999-61608-000	BALL BEARING #608, 22MM	2	
016	085-33185-20	GREASE SEAL A	2	
019	247-33185-20	COLLAR	2	
021	994-61050-254	HEX. HOLE BOLT 5X25/S	6	
022	300-32250-80	GREASE NIPPLE COMP.	1	
023	994-61060-184	HEX. HOLE BOLT 6X18/S	2	
026	990-53060-153	HEX HOLE BUTTON SCREW	1	
027	992-00060-011	SMALL WASHER 6	1	
029	070-33185-21	FIXING PLATE	2	
030	462-33185-20	SUPPORT PLATE	1	
031	990-51040-103	HEX. HOLE BOLT 4X10	4	
043	994-40060-011	SPRING NUT 6	2	
060	301-33185-20	GEAR CASE B	1	
072	994-40060-011	SPRING NUT 6	2	

H12-07

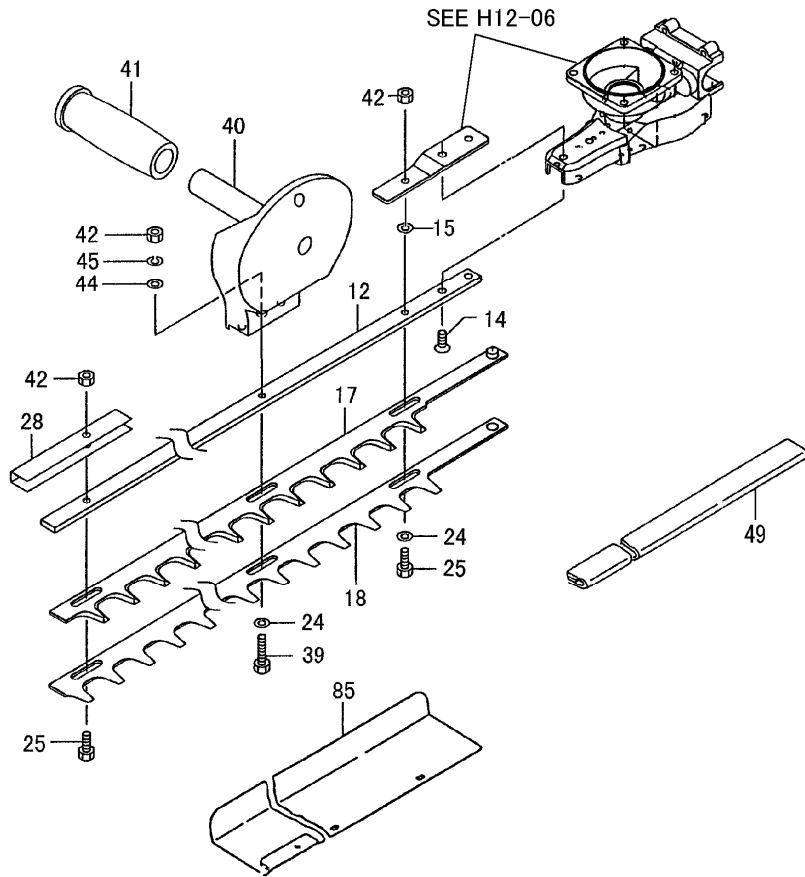
CH78EC(C) BLADE



REF. NUMBER	PARTS NUMBER	DESCRIPTION	Q'TY	SERIAL NUMBER
012	122-33285-20	CUTTER GUIDE 830L M6	1	
013	136-3318B-20	PROTECTION PLATE	1	
014	990-52060-253	HEX. HOLE SCREW 6X25	2	
015	871-32600-20	SPECIAL WASHER B	1	
017	121-33187-21	CUTTER B (852L)	1	
018	120-33187-21	CUTTER A (852L)	1	
024	129-33202-20	WASHER 7 BLACK	4	
025	124-32287-20	FIXING BOLT A M6	4	
028	128-33202-20	BLADE HOLDER	1	
039	125-33285-20	FIXING BOLT B M6	1	
040	051-33185-81	HANDLE B COMP.	1	
041	165-37590-20	HANDLE GRIP	1	
042	991-82060-001	FLANGE NUT 6	5	
044	992-01060-011	WASHER 6	1	
045	992-10060-012	S.WASHER 6	1	
049	138-33215-20	CUTTER COVER, L-773	1	
085	350-33210-20	GATHERING PLATE, OBLO	1	

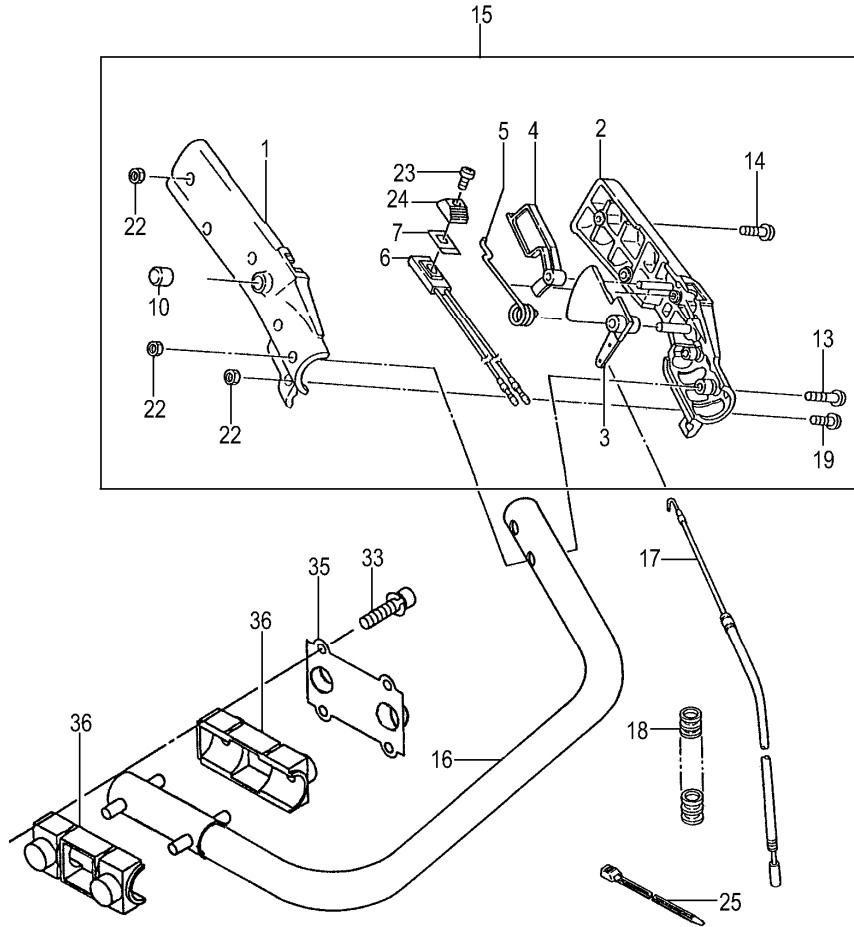
H12-08

CH105EC(C) BLADE



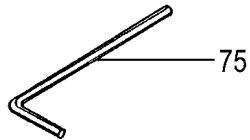
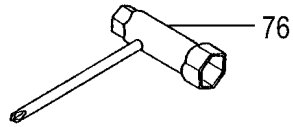
REF. NUMBER	PARTS NUMBER	DESCRIPTION	Q'TY	SERIAL NUMBER
012	122-33186-20	CUTER GUIDE 1105L M6	1	
014	990-52060-253	HEX. HOLE SCREW 6X25	2	
015	871-32600-20	SPECIAL WASHER B	1	
017	121-33185-21	CUTTER B (1132L)	1	
018	120-33185-21	CUTTER A (1132L)	1	
024	129-33202-20	WASHER 7 BLACK	6	
025	124-32287-20	FIXING BOLT A M6	6	
028	128-33202-20	BLADE HOLDER	1	
039	125-33285-20	FIXING BOLT B M6	1	
040	051-33185-81	HANDLE B COMP.	1	
041	165-37590-20	HANDLE GRIP	1	
042	991-82060-001	FLANGE NUT 6	7	
044	992-01060-011	WASHER 6	1	
045	992-10060-012	S.WASHER 6	1	
049	138-33186-20	BLADE COVER	1	
085	350-33210-20	GATHERING PLATE, OBLO	1	

H12-09 CH78EC(C)/105EC(C) HANDLE



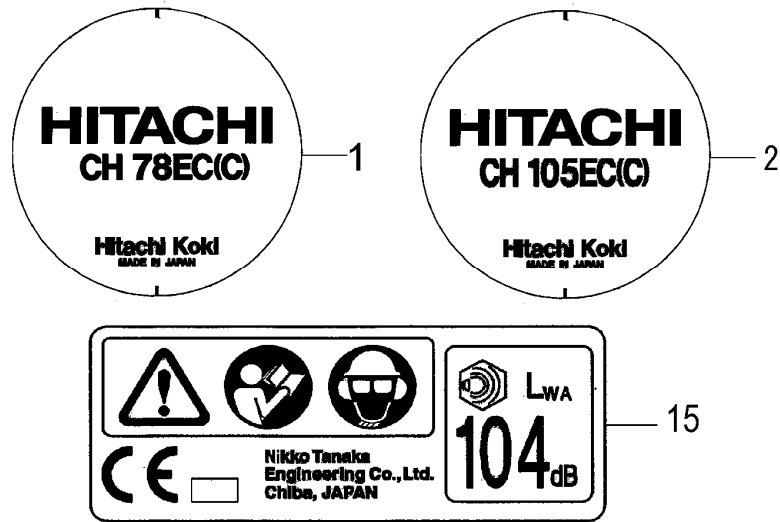
REF. NUMBER	PARTS NUMBER	DESCRIPTION	Q'TY	SERIAL NUMBER
001	053-33231-22	HANDLE GRIP A	1	
002	054-33231-23	HANDLE GRIP B	1	
003	230-33210-20	THROTTLE LEVER	1	
004	231-33210-20	SAFETY LEVER	1	
005	061-32600-20	THROTTLE LEVER SPRING	1	
006	170-32465-80	STOP SWITCH COMP.	1	
007	925-32530-20	STOP BUTTOM MARK	1	
010	765-32120-20	CAP	1	
013	994-16040-301	SCREW 4X30/WS	2	
014	994-16040-251	SCREW 4X25/WS	1	
015	055-33185-90	HANDLE GRIP ASS'Y	1	
016	050-33185-80	HANDLE A COMP.	1	
017	885-03014-80	THROTTLE WIRE 270+49	1	
018	164-10015-00	PROTECTION TUBE 10X150	1	
019	994-16040-161	SCREW 4X16WS	3	
022	991-78040-010	NYLON LOCK NUT 4	6	
023	994-31030-101	SCREW 3X10	1	
024	258-11650-20	BUTTON STOP	1	
025	198-33130-20	CORD CLAMP	1	
033	994-61050-124	HEX. HOLE BOLT 5X12S	4	
035	058-33185-20	HANDLE BRACKET	1	
036	060-33185-20	HANDLE DUMPER RUBBER	2	

H12-10 CH78EC(C)/105EC(C) OPTIONAL PARTS



REF. NUMBER	PARTS NUMBER	DESCRIPTION	Q'TY	SERIAL NUMBER
075	036-29331-50	COMBI. BOX SPANNER 10X	1	
076	813-20000-20	HEX. WRENCH 4	1	

H12-11 CH78EC(C)/105EC(C) LABEL



REF. NUMBER	PARTS NUMBER	DESCRIPTION	Q'TY	SERIAL NUMBER
001	906-52002-20	NAME PLATE CH78EC(C)	1	
002	906-52003-20	NAME PLATE CH105EC(C)	1	
015	919-06620-22	CAUTION MARK A	1	